



ITI Engineering Drawing 1st and 2nd year Question Paper in Hindi

ITI Engineering Drawing Question Paper in Hindi pdf

Q1. What Is The Longest Chord Of A Circle Which Passes Through The Center Called?

(a) tangent

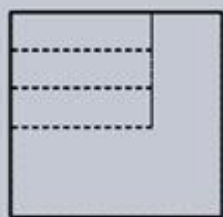
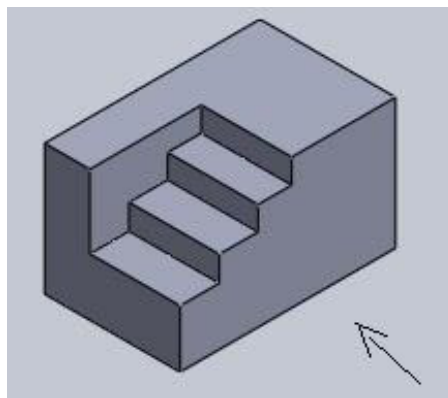
(b) radius

(c) diameter

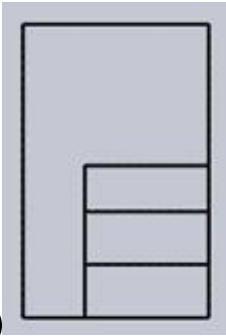
(d) Perimeter

ANSWER

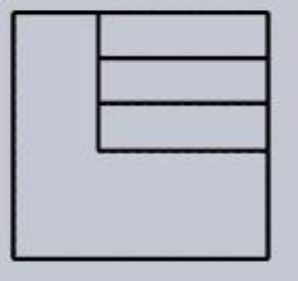
Q2. Identify The Top View Of The Below Isometric View.



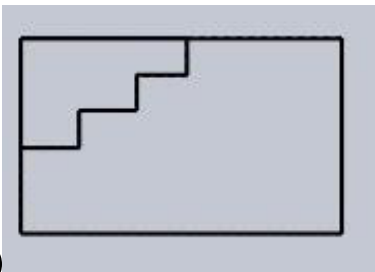
(a)



(b)



(c)



(d)

ANSWER

Q3. Which Of The Following Is Not A Part Of Circle?

(a) Center

(b) diagonal

(c) Perimeter

(d) radius

ANSWER

Q4.900 The Radius Of The Angle Is Called The Segment.

(a) semicircle

(b) Quadrant

(c) Segment

(d) any



ANSWER

Q5.1800 The Radius Of The Angle Is Called The Segment.

(a) semicircle

(b) Quadrant

(c) Segment

(d) any

ANSWER

Q6.The Tangent To The Circle Makes This Angle With Its Centre.

(a) 60 degrees

(b) 45 degree

(c) 75 degrees

(d) 90 degrees

ANSWER

Q7. The Sum Of The Three Angles Of A Triangle Is

(a) 90 degrees

(b) 120 degrees

(c) 180 degrees

(d) 360 degrees

ANSWER

Q8. Every Angle Of An Acute Triangle Is

(a) acute angle

(b) right angle





(c) both a and b

(d) none

ANSWER

Q9. The Three Angles Of A Triangle Are 600, 500 And 700, What Type Of Triangle Is It?

(a) isosceles triangle

(b) Equilateral triangle

(c) Odd-sided triangle

(d) any

ANSWER

Q10. The Construction Made By The Circuit At The Same Distance From A Fixed Point Is Called

(a) angle

(b) triangle

(c) circle

(d) quadrilateral

ANSWER

Q11. Radius Is

(a) diameter x 2

(b) x diameter

(c) same diameter

(d) none

ANSWER

Q12. If The Center Of The Circle Is Joined With The Circumference,



Then This Line Is Called.

(a) radius

(b) diameter

(c) Jiva

(d) tangent

ANSWER

Q13. The Line Touching The Circumference At Right Angles To The Radius Is Called.

(a) diameter

(b) Jiva

(c) radius

(d) tangent

ANSWER

Q14. Both The Diagonals Of This Quadrilateral Are Equal And Bisect Each Other At Right Angles.

(a) rectangle

(b) class

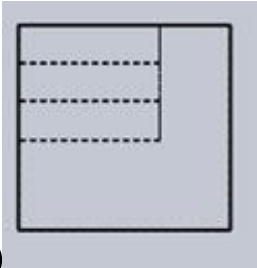
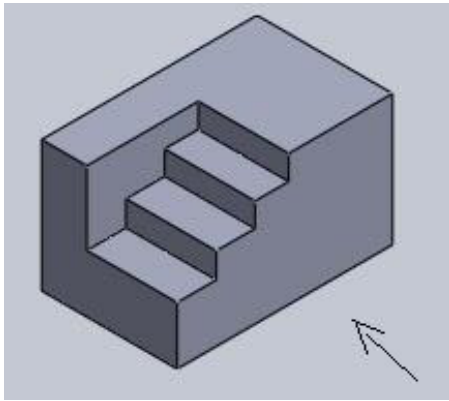
(c) Parallelogram

(d) rhombus

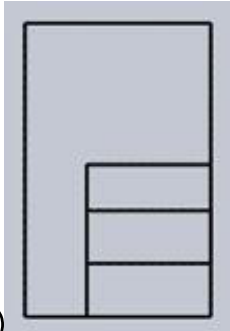
ANSWER

Q15. Identify The Side View Of The Below Isometric View.

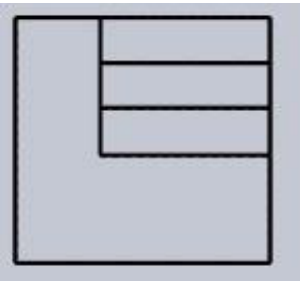




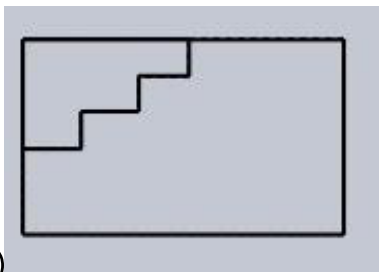
(a)



(b)



(c)



(d)

ANSWER

Q16. Diagonals Of These Figures Are Unequal.

(a) class

(b) rectangle





(c) Parallelogram

(d) all

ANSWER

Q17. Two Opposite Sides Of This Figure Are Parallel.

(a) class

(b) rectangle

(c) Trapezoid

(d) Parallelogram

ANSWER

Q18. If The Right Angle Of A Rectangle Is Increased Or Decreased, Then The Newly Formed Figure Will Be Called.

(a) class

(b) rhombus

(c) Trapezoid

(d) Parallelogram

ANSWER

Q19. One Angle Of A Right Triangle Is Of 50 Degree. The Value Of The Second Angle Will Be

(a) 50 degrees

(b) 30 degrees

(c) 45 degree

(d) 40 degrees

ANSWER



Q20. How Are Prisms And Pyramids Named?

(a) according to the size of the base

(b) according to the shape of the face

(c) both a and b

(d) none

ANSWER

1 2 3 4 5



Mechanical Engineering Courses

विज्ञापन Coursary

Info Cloud Management

विज्ञापन Prorateer

Tags Engineering Drawing ITI Engineering Drawing Objective Question

Share :



< OLDER

NEWER >

You may like these posts

Show more