



Home > ITI Engineering Drawing Objective Question > ITI Engineering Drawing 1st year Question Paper in Hindi Part - 4

## ITI Engineering Drawing 1st year Question Paper in Hindi Part - 4



By - Sudhir Kumar ⌚ June 25, 2022

💬 1



### ITI Engineering Drawing Question Paper PDF in Hindi

ITI Drawing Question Paper PDF in Hindi

Q1.Which Line Represents The Shortest Distance Between Two Points?

(a) straight line

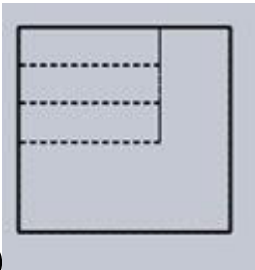
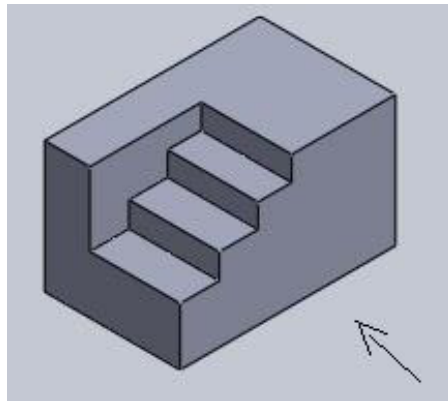
(b) curved line

(c) inclined line

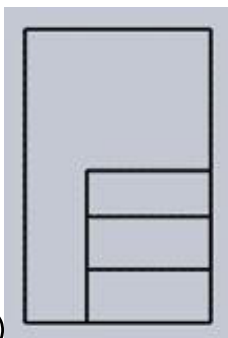
(d) parallel line

ANSWER

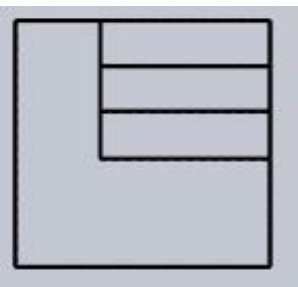
Q2. Identify The Front View Of The Bottom Isometric View.



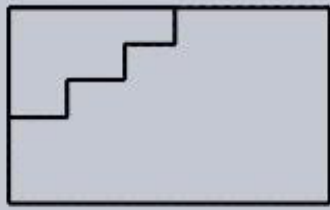
(a)



(b)



(c)



(d)

ANSWER

Q3. A Line Drawn Parallel To The Upper Surface Of Standing Water Is Called

(a) vertical line

(b) Horizontal line

(c) Inclined Line

(d) Parallel Line

ANSWER

Q4. A Perpendicular Line Standing On A Reference Line Is Called

(a) inclined line

(b) Horizontal line

(c) Parallel Line

(d) vertical line

ANSWER

Q5. A Straight Line Which Is Neither Vertical Nor Horizontal. What Is That Line Called?

(a) straight line

(b) curved line

(c) Inclined line

(d) any



ANSWER

Q6. Is A Straight Line.

(a) horizontal line

(b) the distance between two points

(c) the shortest distance between two points

(d) any

ANSWER

Q7. How Many Degrees Are There In A Circle?

(a) 320 degrees

(b) 260 degree

(c) 365 degrees

(d) 360 degrees

ANSWER

Q8. Angles Of Magnitude Greater Than 1800 And Less Than 3600 Are Called.

(a) acute angle

(b) reflex angle

(c) Supplement angle

(d) obtuse angle

ANSWER

Q9. The Value Of The Obtuse Angle Is

(a) more than 180 degrees

(b) 360 degrees





(c) 180 degrees

(d) angle greater than 90 less than 180

ANSWER

Q10. Which Of The Following Angle Has A Constant Value?

(a) straight line

(b) acute angle

(c) obtuse angle

(d) reflex angle

ANSWER

Q11. Select The Acute Angle From The Following.

(a) 32 degrees

(b) 90 degrees

(c) 102 degrees

(d) 320 degrees

ANSWER

Q12. 1800 Angle Is

(a) acute angle

(b) right angle

(c) straight angle

(d) complete angle

ANSWER

Q13. 192 Is An Angle Of Degree





(a) right angle

(b) straight angle

(c) reflex angle

(d) complete angle

ANSWER

Q14. The Value Of Which Of The Following Angle Is Fixed But Not In Range?

(a) acute angle

(b) obtuse angle

(c) reflex angle

(d) straight angle

ANSWER

Q15. The Value Of Which Of The Following Angle Is Not Fixed But In A Range?

(a) obtuse angle

(b) right angle

(c) straight angle

(d) complete angle

ANSWER

Q16. The Value Of A Perfect Angle Is

(a) 90 degrees

(b) 120 degrees

(c) 180 degrees

(d) 360 degrees



ANSWER

Q17. The Sides Of This Angle Are In A Straight Line.

(a) acute angle

(b) straight angle

(c) obtuse angle

(d) complete angle

ANSWER

Q18. 72 Will Be The Complementary Angle Of An Angle.

(a) 20 degrees

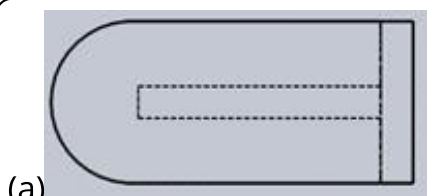
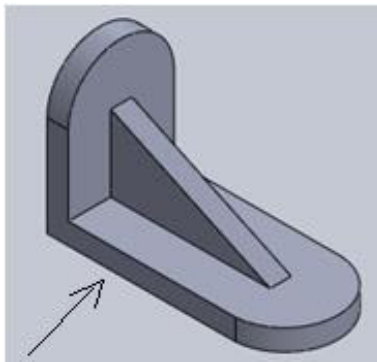
(b) 108 degrees

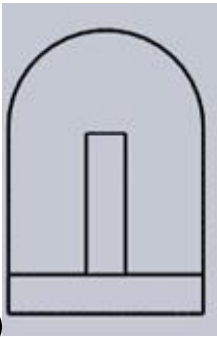
(c) 18 degrees

(d) 100 degrees

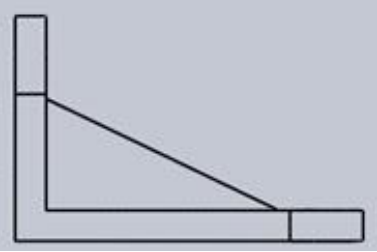
ANSWER

Q19. Identify The Front View Of The Bottom Isometric View.

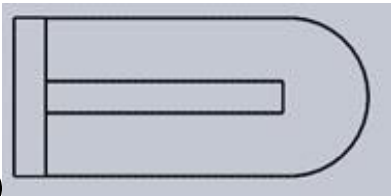




(b)



(c)



(d)

ANSWER

Q20. A Straight Line Joining Two Points On The Circumference Of A Circle Is Called

(a) chord

(b) arc

(c) diameter

(d) tangent

ANSWER

1 2 3 4 5

Tags Engineering Drawing ITI Engineering Drawing Objective Question

Share :



< OLDER

NEWER >