

ITI Engineering Drawing MCQs [PDF] Questions in Hindi

ITI Engineering Drawing Online MCQ Mock Test - NCVT MIS



Q1. Which Grade Pencil Is Generally Not Used For Simple Drawing Tasks?

(a) H

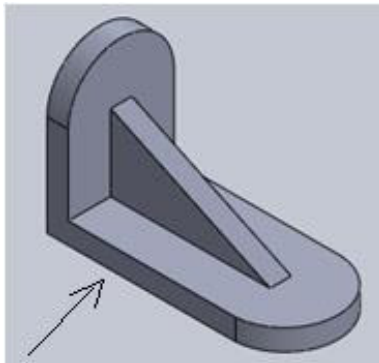
(b) 6H

(c) HB

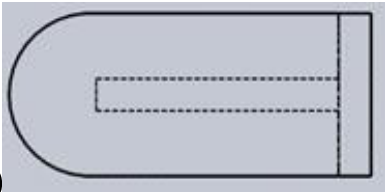
(d) 2H

ANSWER

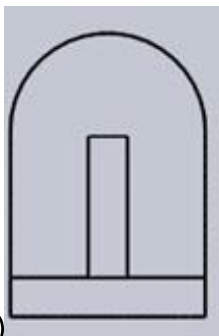
Q2. Identify The Side View Of The Below Isometric View.



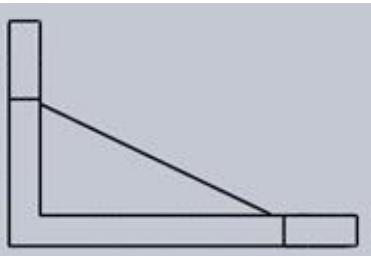
(a)



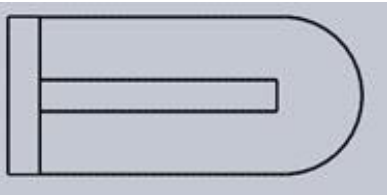
(b)



(c)



(d)



ANSWER

Q3. Which Tool Is Used To Erase Lines Up To A Specified Length?

(a) Erasing Shield

(b) sand paper

(c) scale

(d) French Curve

ANSWER

Q4. What Material Is The Erasing Shield Made Of?

(a) Plastic

(b) wood

(c) thin steel sheet

(d) rubber

ANSWER

Q5. French Curve Belongs To Which Class?

(a) Set Square – T Square

(b) circle-ellipse

(c) Triangle-quadrilateral

(d) Polygon

ANSWER



Q6. Scales Are Made Of Different Materials. Select The Most Durable Of These.

(a) wood

(b) ivory

(c) Celluloid/Plastic

(d) Stainless Steel

ANSWER

Q7. Which Type Of Scale Is More Commonly Used In Engineering Drawing?

(a) triangular cross section

(b) flat cross section

(c) thin, flat cross section and sloping edges

(d) any

ANSWER

Q8. Which Length Scale Is Used More In Drawing?

(a) 150mm

(b) 300mm

(c) 600mm

(d) Both A and B

ANSWER

Q9. This Drawing Tool Is Used To Draw Circles Of Diameter Up To 120 Mm.





(a) Large compass

(b) Bow compass

(c) big divider

(d) Bow Divider

ANSWER

Q10. This Type Of Drawing Sheet Is Used In Engineering Drawing

(a) Hand made paper

(b) Mill Made Paper

(c) both

(d) neither of the two

ANSWER

Q11. The Area Of Which Drawing Sheet Is One Square Meter In The Following Named Drawing Sheet?

(a) A2

(b) A0

(c) A1

(d) A3

ANSWER

Q12. The Selection Of Pencil In Engineering Drawing Is Done On The Basis Of

(a) the size of the drawing sheet

(b) Type of drawing

(c) type of line work

(d) Quality of pencil



ANSWER

Q13. The Accuracy Of T-Square Can Be Checked By This Method.

(a) By drawing a line parallel to the top edge of the drawing board

(b) by drawing another line under one line

(c) by drawing a line parallel to the edge of the drawing board

(d) Drawing lines by rotating the T-square at an angle of 1800

ANSWER

Q14. The Strokes Of These Letters In Lettering Have The Same Thickness.

(a) Roman letter

(b) Gothic Letter

(c) Italics

(d) text letter

ANSWER

Q15. The Letters Made By Mixing Thick And Fine Lines Are Called.

(a) Roman letter

(b) Gothic Letter

(c) Italics

(d) text letter

ANSWER

Q16. These Are Decorative Characters Which Are Not Used In Engineering Drawings.

(a) Roman letter





(b) Gothic Letter

(c) Italics

(d) text letter

ANSWER

Q17. Inclined Letters, Which Are Inclined At 150 From The Vertical, Are Called

(a) Roman letter

(b) Gothic Letter

(c) Italics

(d) text letter

ANSWER

Q18. At What Angle Is The Italic Letter Inclined To The Vertical?

(a) 150 left from the vertical

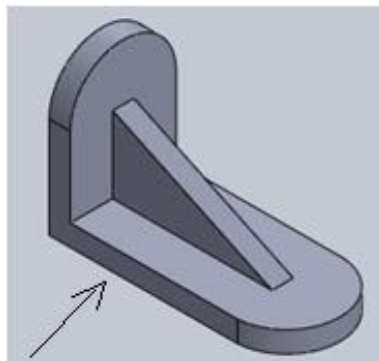
(b) 150 right from the vertical

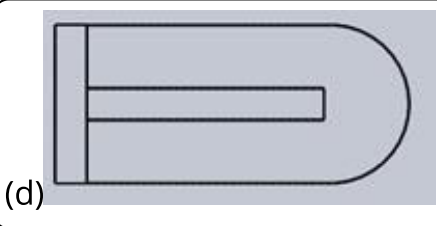
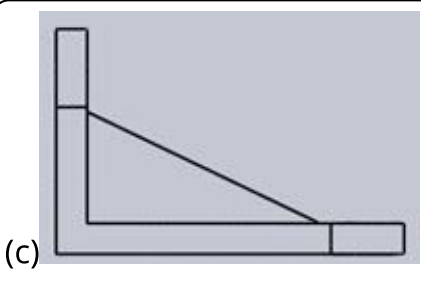
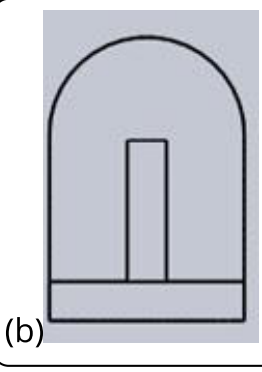
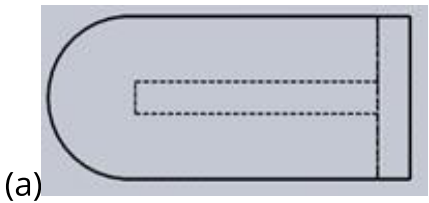
(c) both of the above

(d) none of the above

ANSWER

Q19. Identify The Top View Of The Bottom Isometric View..





ANSWER

Q20. There Is Usually Such A Difference Between Two Words.

(a) equal to the width of the letters

(b) same as the height of the letters

(c) any of the above

(d) both a and b

ANSWER

1 2 3 4 5

Tags Engineering Drawing ITI Engineering Drawing Objective Question

